

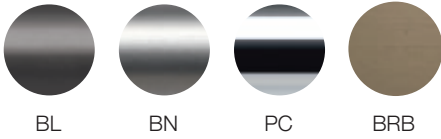
MOTOR CONTROL



# MOTOPIA

COLLECTION

Vesta's MOTOPIA Collection features precision extruded decorative aluminum tracks powered by a belt driven wire-free motor. The silent system operates with a 5-channel (RF) remote control, and can hold a charge for up to one year.



AVAILABLE FINISHES:










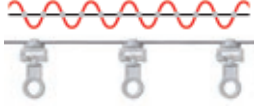
- BL = black
- BN = brushed nickel
- PC = polished chrome
- BRB = brushed bronze

## BRACKETS & ACCESSORIES









AVAILABILITY:  
Special order, 3-4 weeks,  
no returns

PRIMARY MATERIALS:  
■ aluminum

DIAMETER & BRACKET  
REQUIREMENTS:  
1½"D: bracket required  
every 5-7 feet

 <p>Wall Bracket #282710 1.7/8"W, 4.3/4"P</p>	 <p>Extended Double Bracket #282929 2.1/2"W, 4.5/16" &amp; 8.5/8"</p>	 <p>Angle Support #289850 6.7/8"L, 8"P</p>	 <p>Glider #912493-GR - 3/4"P #912493-L - 3/4"P #912493 -WH - 3/4"P</p>
 <p>Return Pulley Assembly #912483 3.1/8"W, 4.3/4"L *specify right or left side</p>	 <p>Return Pulley Short #912484 1.1/8"W, 1.5/8"L</p>  <p>Track Connector #908995 - 4.1/4"L</p>	 <p>Underlap master carrier #918808 1"W, 3.1/2"L (2.1/2"OC)</p>	 <p>Overlap master carrier #918809 1"W, 3.1/2"L (2.1/2"OC)</p>  <p>Connected Snap Carrier #907006 - 60% fullness - 2.5/8"OC #907008 - 80% fullness - 2.3/8"OC #907010 - 100% fullness - 2.1/8"OC #907012 - 120% fullness 1.7/8"OC</p>

## MOTOR HARDWARE SOMFY

 <p>Somfy Glydea Ultra 60e RTS #912660 12.15/16"L</p>	 <p>Wire-Free Motor #912690 - 12.1/8"H, 3.5/8"W *3-year limited manufacturer's warranty subject to terms and conditions - call for details</p>
 <p>Charging Unit #912696</p>	 <p>Remote #912695 (RF) 5-channel</p>
 <p>Motor Housing Assembly #912699 4.1/4"W, 4.3/4"L *specify right or left side</p>	 <p>Kevlar Belt #912400</p>
 <p>Traverse Track #289090 - 1.1/8" *sold by the foot</p>	 <p>Kevlar Belt Connector #912492</p>

## MOTOR HARDWARE MOTIONBLINDS

 <p>Motionblinds Motor #911660 16.1/2"L</p>  	 <p>Eve Motionblinds Motor #911661 16.1/2"L</p>   		
 <p>Motor Pulley (left) #912700 2.7/8"W, 4.3/4"L</p>	 <p>Motor Pulley (right) #912700 2.7/8"W, 4.3/4"L</p>	 <p>Motor In-Line Pulley #912600 1.7/8"W, 1.7/8"L</p>	 <p>Remote Control #911665</p>  <p>Charging Cable #911666</p>

### IMPORTANT

TAMPERING WITH THE MOTOR FOR ANY REASON IMMEDIATELY VOIDS THE MANUFACTURER WARRANTY. Vesta will not be held responsible for damage to your motor if your draperies touch and therefore drag across the floor (puddling) during operation. **No returns are permitted on this highly customized product.**

## SHIPPING & ADDITIONAL NOTES:

Vesta will not be responsible for damage to your motor if your draperies touch, and therefore drag across the floor (puddling) during operation.